

# 4MP LightHunter Vandal-resistant Dome Network Camera

IPC3234SS-DZK-IO



## Key Features



## Optics

- 1/2.7", Powered by lighthunter
- Smart IR, up to 50m (164 ft) IR distance
- Up to 120 dB Optical WDR (Wide Dynamic Range)

## Compression

- Ultra 265, H.265, H.264, MJPEG
- Triple streams
- 2688\*1520@30fps in the main stream
- ROI (Region of Interest)

## Network

- ONVIF Conformance

## Structure

- DC12V or PoE power supply
- Wide voltage range of  $\pm 25\%$  in DC
- Micro SD, up to 256 GB

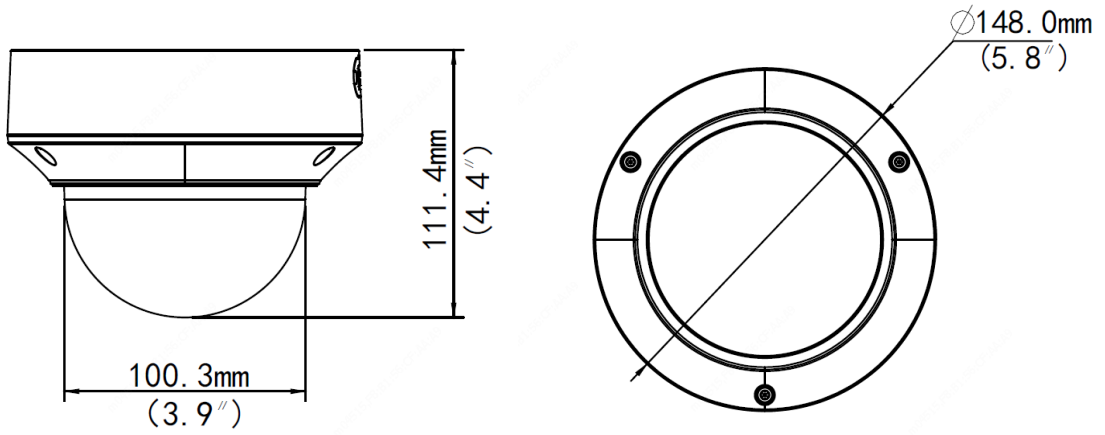
- Alarm 1 in and 1 out, Audio 1 in and 1 out
- IP67 ingress protection
- IK10 vandal resistant

## Specifications

IPC3234SS-DZK-IO					
<b>Camera</b>					
Sensor	1/2.7", 4.0 megapixel, progressive scan, CMOS				
Lens	2.7~13.5mm@F1.2, AF automatic focusing and motorized zoom lens				
Iris	Auto aperture				
DORI Distance	Lens (mm)	Detect (m)	Observe (m)	Recognize (m)	Identify (m)
	2.7	70.9(232.5ft)	28.4(93.0ft)	14.2(46.5ft)	7.1(23.3ft)
	13.5	247.5(812.0ft)	99.0(324.8ft)	49.5(162.4ft)	24.8(81.2ft)
Angle of View (H)	26.0°~92.0°				
Angle of View (V)	15.0°~53.9°				
Angle of View (O)	30.7°~119.6°				
Shutter	Auto/Manual, 1 ~ 1/100000s				
Adjustment angle	Pan: 0°~355°		Tilt: 0°~80°	Rotate: 0°~355°	
Min. Illumination	Colour:0.002ux (F1.2, AGC ON) 0 lux with IR				
WDR	120dB				
Day/Night	IR-cut filter with auto switch (ICR)				
IR Range	Up to 50m (164 ft) IR range				
Wavelength	850nm				
IR On/Off Control	Auto/Manual				
Defog	Digital Defog				
<b>Video</b>					
Video Compression	Ultra 265, H.265, H.264, MJPEG				
Frame Rate	Main Stream: 4MP (2688*1520),Max 30fps; Sub Stream: 2MP (1920*1080), Max 30fps; Third Stream: D1 (720*576), Max 30fps				
Video Bit Rate	128 Kbps~16 Mbps				
ROI	Supported				
Video stream	Triple streams				
OSD	Up to 8 OSDs				
Privacy Mask	Up to 8 areas(8 blacks/8 mosaics)				
<b>Image</b>					
White Balance	Auto/Outdoor/Fine Tune/Sodium Lamp/Locked/Auto2				
Digital noise reduction	2D/3D DNR				
Smart IR	Support				
Flip	Normal/Flip Vertical/Flip Horizontal/180°/90°Clockwise/90°Anti-clockwise				
HLC	Support				
BLC	Support				
<b>Events</b>					
General Function	Watermark, IP Address Filtering, Alarm input, Alarm output, Access Policy, ARP Protection, RTSP Authentication, User Authentication				

Audio	
Audio Compression	G.711U, G.711A
Two-way Audio	Supported
Suppression	Supported
Sampling Rate	8KHZ
Storage	
Edge Storage	Micro SD, up to 256 GB
Network Storage	ANR,NAS(NFS)
Network	
Protocols	IPv4, IGMP, ICMP, ARP, TCP, UDP, DHCP, PPPoE, RTP, RTSP, RTCP, DNS, DDNS, NTP, FTP, UPnP, HTTP, HTTPS, SMTP, 802.1x, SNMP, QoS, RTMP
Compatible Integration	ONVIF (Profile S, Profile G, Profile T), API
Client	EZStation EZLive Ezview
Web Browser	Plug-in required live view: IE9+, Chrome 41 and below, Firefox 52 and below
Interface	
Audio I/O	Audio cable
	1 Input: impedance 35kΩ; amplitude 2V [p-p]
	1 output: impedance 600Ω; amplitude 2V [p-p]
Alarm I/O	1/1
Network	1 * RJ45 10M/100M Base-TX Ethernet
Certification	
Certifications	CE: EN 60950-1 UL: UL 60950-1 FCC: FCC Part 15
General	
Power	DC12V(±25%), PoE(IEEE 802.3af)
	Power consumption: Max 8W
	Support overcurrent protection, Input short circuit protection
Dimensions (∅ x H)	∅148.0 x 111.4mm (∅5.8'' x4.4'')
Weight	0.93kg(2.05lb)
Working Environment	-30°C ~ 60°C (-22°F ~ 140°F), Humidity: ≤95% RH (non-condensing)
Storage Environment	-40°C ~ 70°C (-40°F ~ 158°F), Humidity: ≤95% RH (non-condensing)
Surge protection	6KV
Vandal Resistant	IK10
Ingress Protection	IP67

## Dimensions



## Accessories

TR-JB04-C-IN



TR-JB07/WM04-B-IN



TR-WM04-IN



TR-FM152-A-IN



TR-SM04-IN

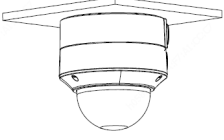
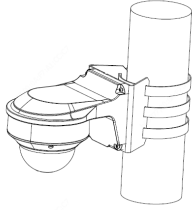
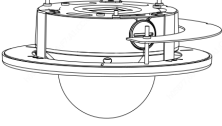
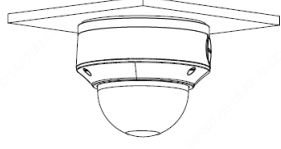


TR-A01-IN



TR-UP06-IN



Junction Mount	Pole Mount
TR-JB04-C-IN+ TR-A01-IN	TR-JB07/WM04-B-IN、TR-WM04-IN+TR-UP06-IN
	
In-ceiling Mount	Electric-box Transfer plate
TR-FM152-A-IN	TR-SM04-IN
	

**Zhejiang Uniview Technologies Co., Ltd.**

Building No.10, Wanlun Science Park, Jiangling Road 88, Binjiang District, Hangzhou, Zhejiang, China (310051)

 Email: [overseasbusiness@uniview.com](mailto:overseasbusiness@uniview.com); [globalsupport@uniview.com](mailto:globalsupport@uniview.com)
<http://www.uniview.com>

©2020-2021 Zhejiang Uniview Technologies Co., Ltd. All rights reserved.

\*Product specifications and availability are subject to change without notice